

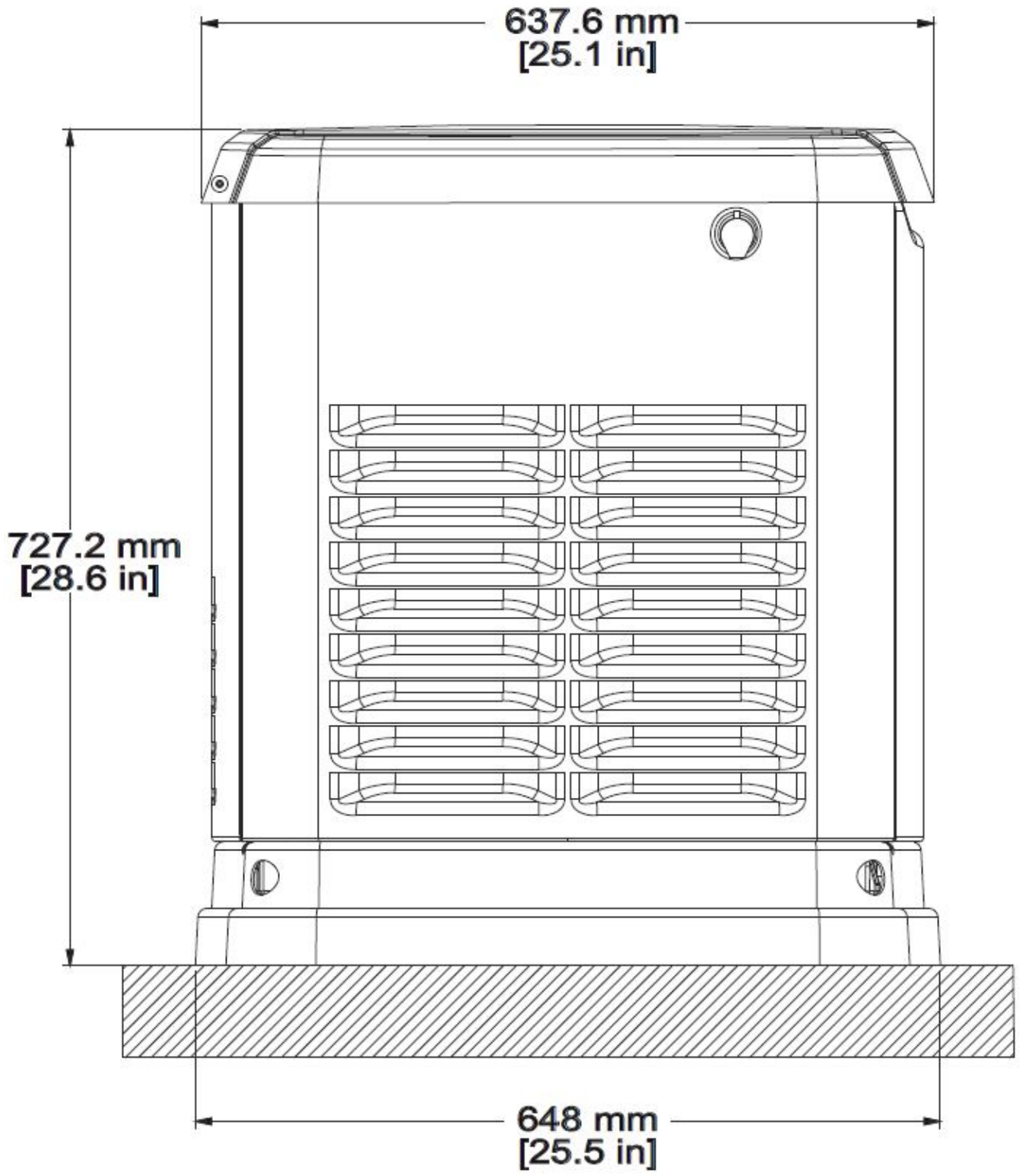
**Clyde and Laura Rice Cement: Concrete Slab for AC Unit
and Generac Home Generator ***

1. Slab should be above ground, **2 ½ ”** above and 3” below (**2 x 6 framing boards are 1-1/2" x 5-1/2" actual**).
2. Mix 4000 PSI minimum
3. Will accommodate above-ground positioning of AC unit. And (upcoming) installation of Generac Home Generator:

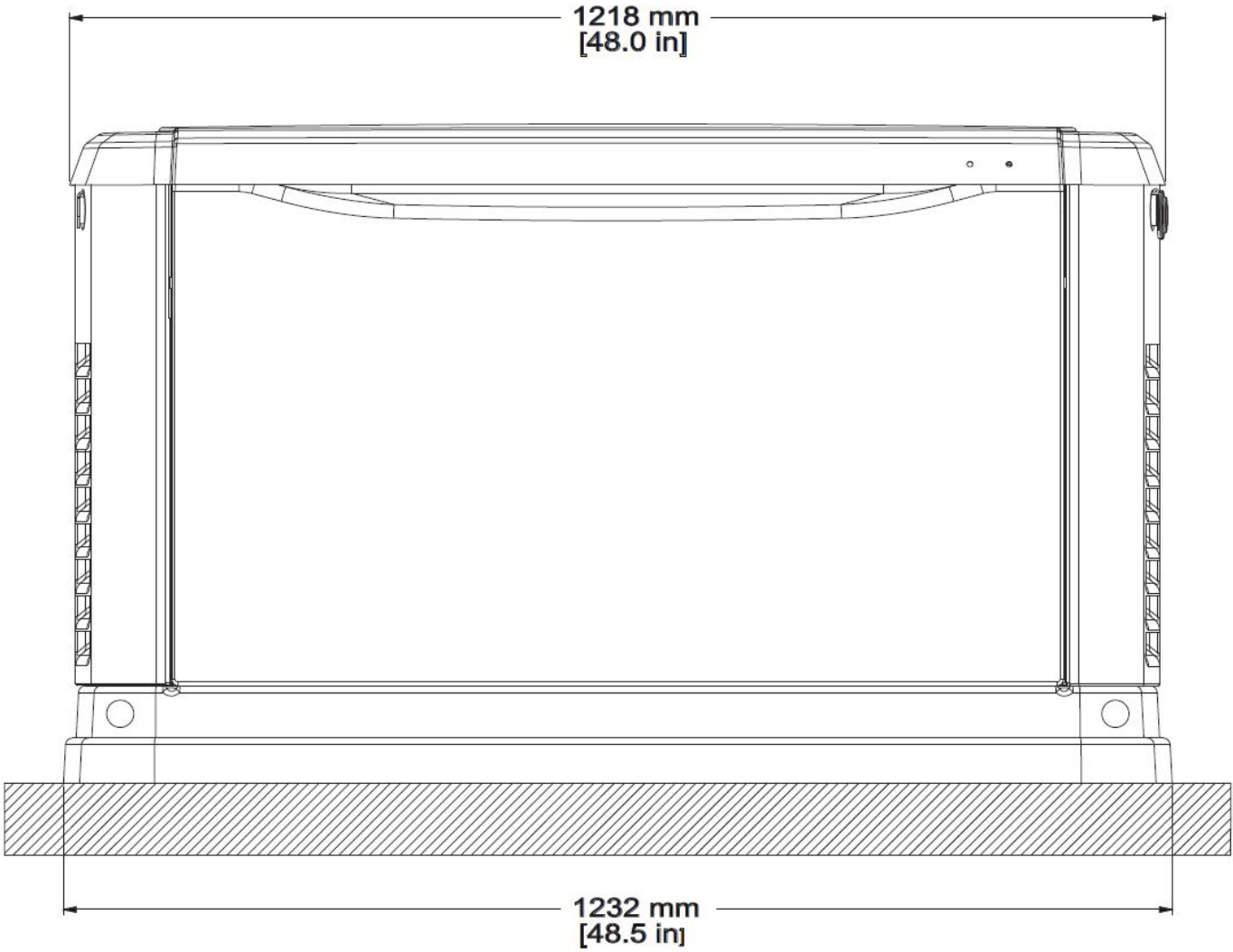


4. Pour is rectangular, runs parallel to house foundation, beginning 12” off of the southwest corner (See last picture).
5. Pour begins at 12” from house foundation, width (away from house toward garage) **42”**. **Pour begins at 12” from house to 54” (54 minus 12 = 42 width)**
6. **Pour is 138” (11 ½ feet)** running parallel to house foundation, accommodating both the existing AC unit and the new Generac Home generator unit (See measurement of latter in next pages).
7. These dimensions and positioning accommodate the Dearborn Ordinances and Generac install practices.

*** Update of 23 Oct 2018 shown in red, Page 1 only (all other pages unchanged)**



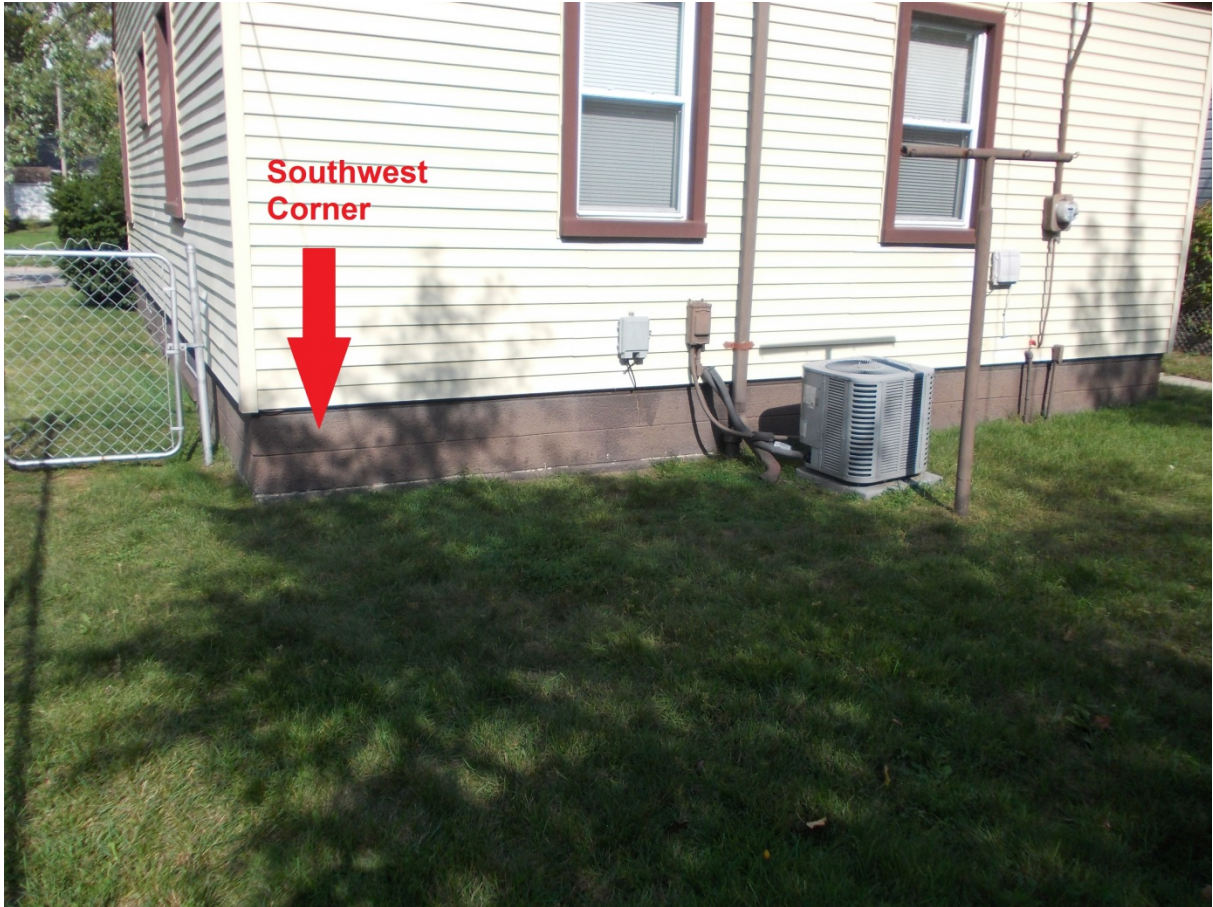
LEFT SIDE VIEW



FRONT VIEW







**Southwest
Corner**