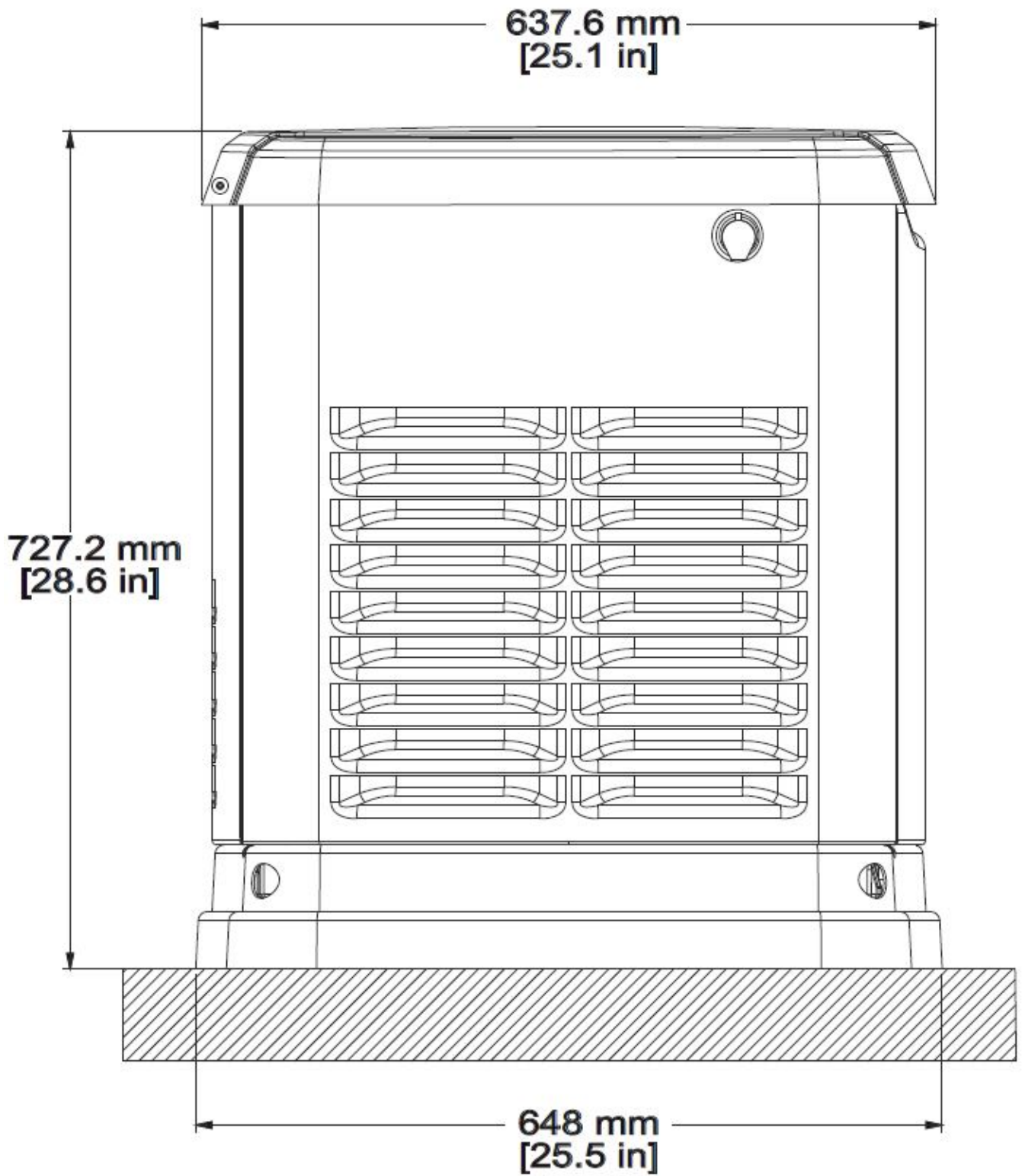


Olsen Cement: Concrete Slab for AC Unit and Generac Home Generator

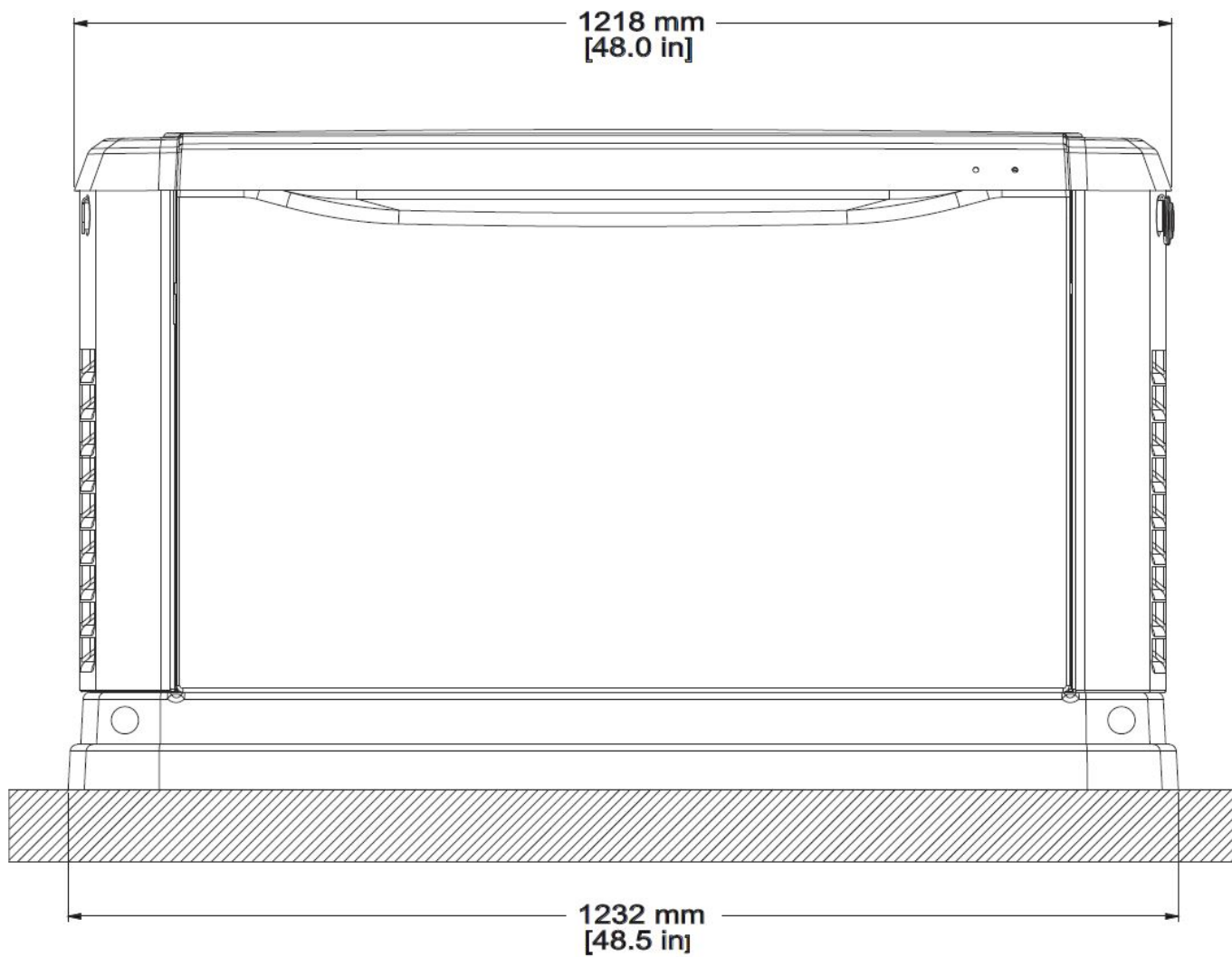
1. Slab should be above ground, 3" above and 3" below (proposed).
2. Mix 3000 PSI minimum?
3. Will accommodate above-ground positioning of AC unit. And (upcoming) installation of Generac Home Generator:



4. Pour is rectangular, runs parallel to house foundation, beginning 12" off of the southwest corner (See last picture).
5. Pour begins at 12" from house foundation, width (away from house toward garage) 40".
6. Pour is 144" (12 feet) running parallel to house foundation, accommodating both the existing AC unit and the new Generac Home generator unit (See measurement of latter in next pages).
7. These dimensions and positioning accommodate the Dearborn Ordinances and Generac install practices.



LEFT SIDE VIEW



FRONT VIEW



