

ATTACHMENT M

EXPERT WITNESS REPORT - 2 January 2012 REVISION

Kline v. Loman Auto Group, Victoria Morgan-Alcala, et al.

Page Range 7

Pages 615 - 621



Inter Company Correspondence

Telephone

Date

12/14/87

To — Name & Department

CIMS Number

Jeep & Truck Engineering

From — Name & Department

CIMS Number

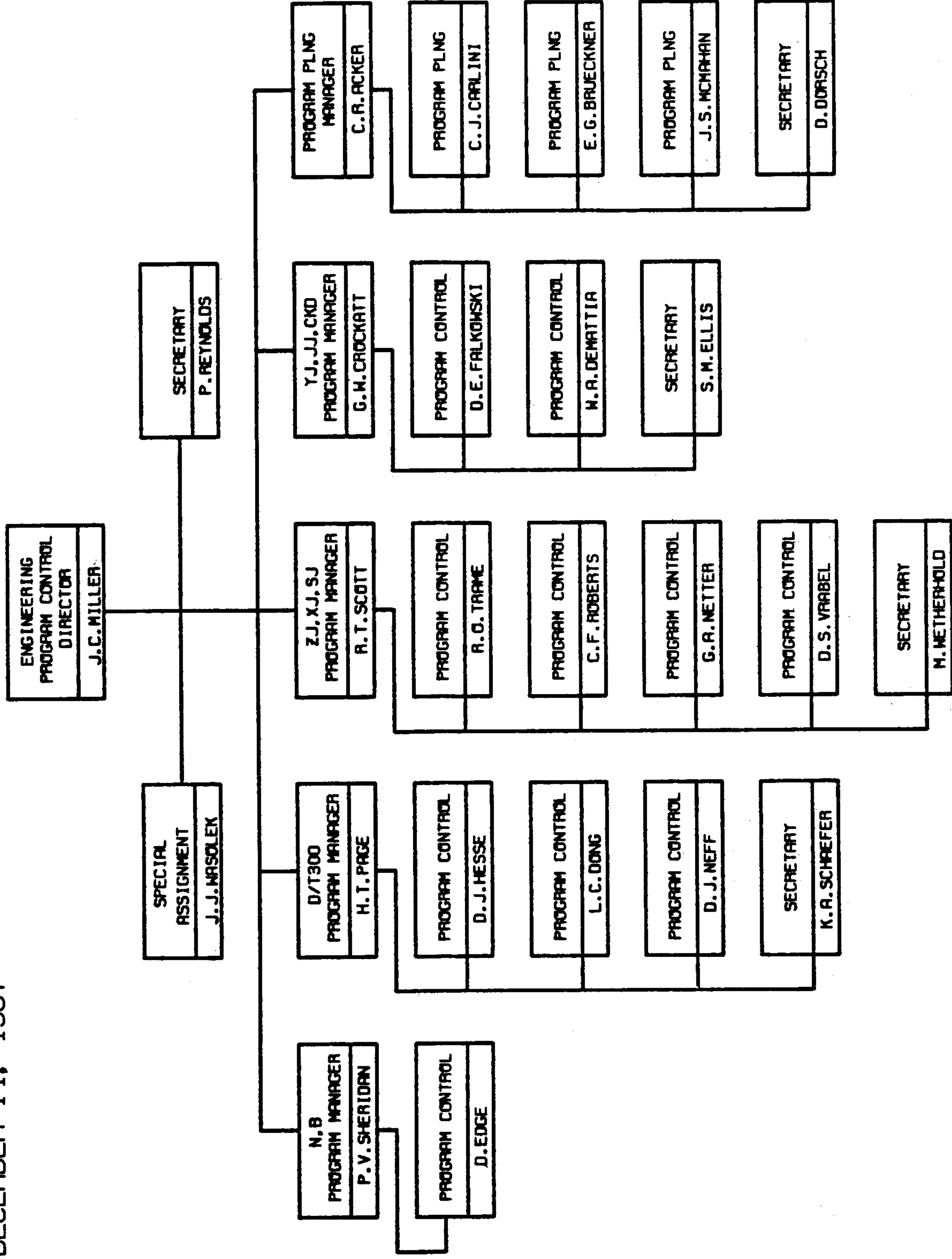
F. J. Castaing

Subject: Organization Charts

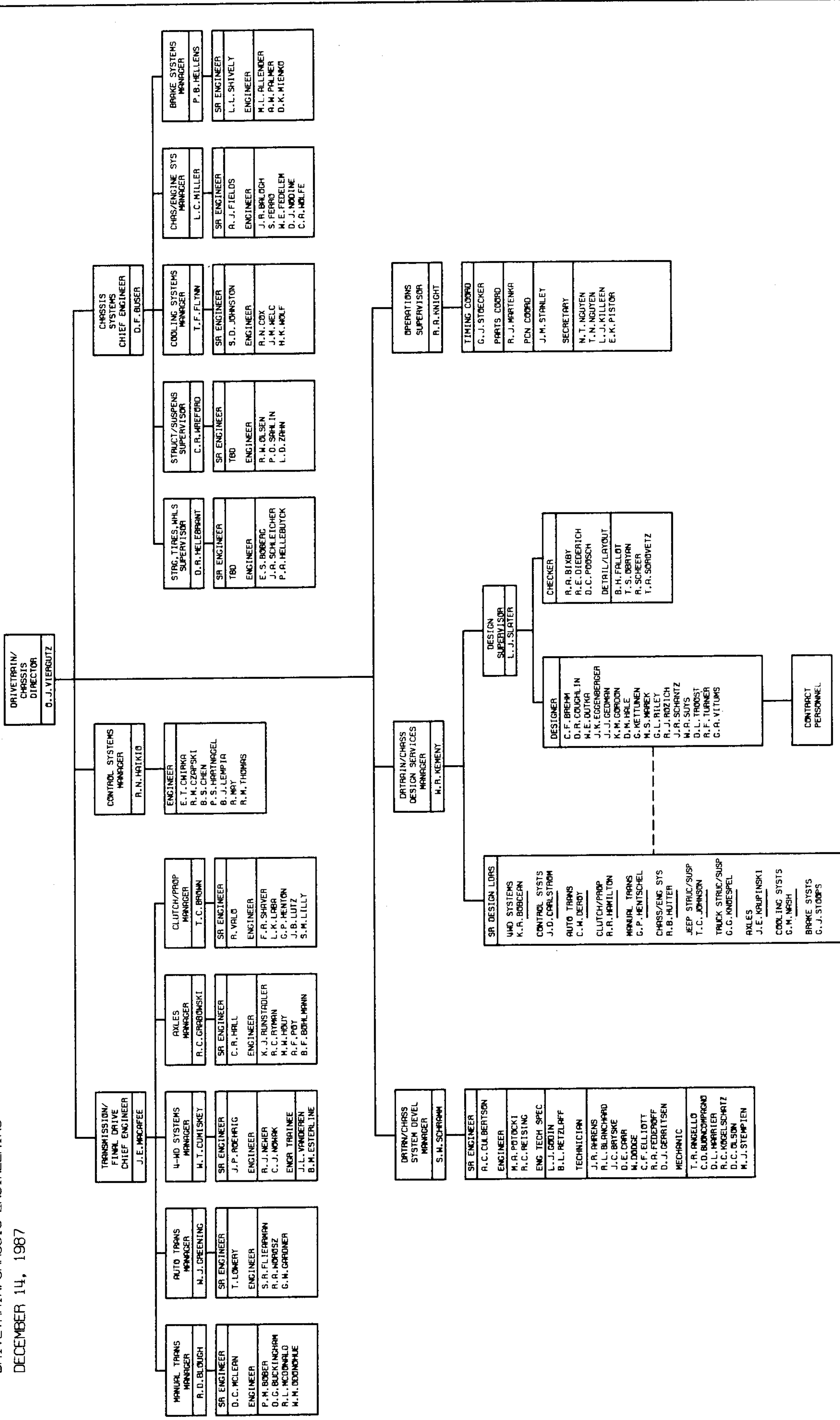
Attached is a complete set of organization charts for Jeep & Truck Engineering.

F. J. Castaing

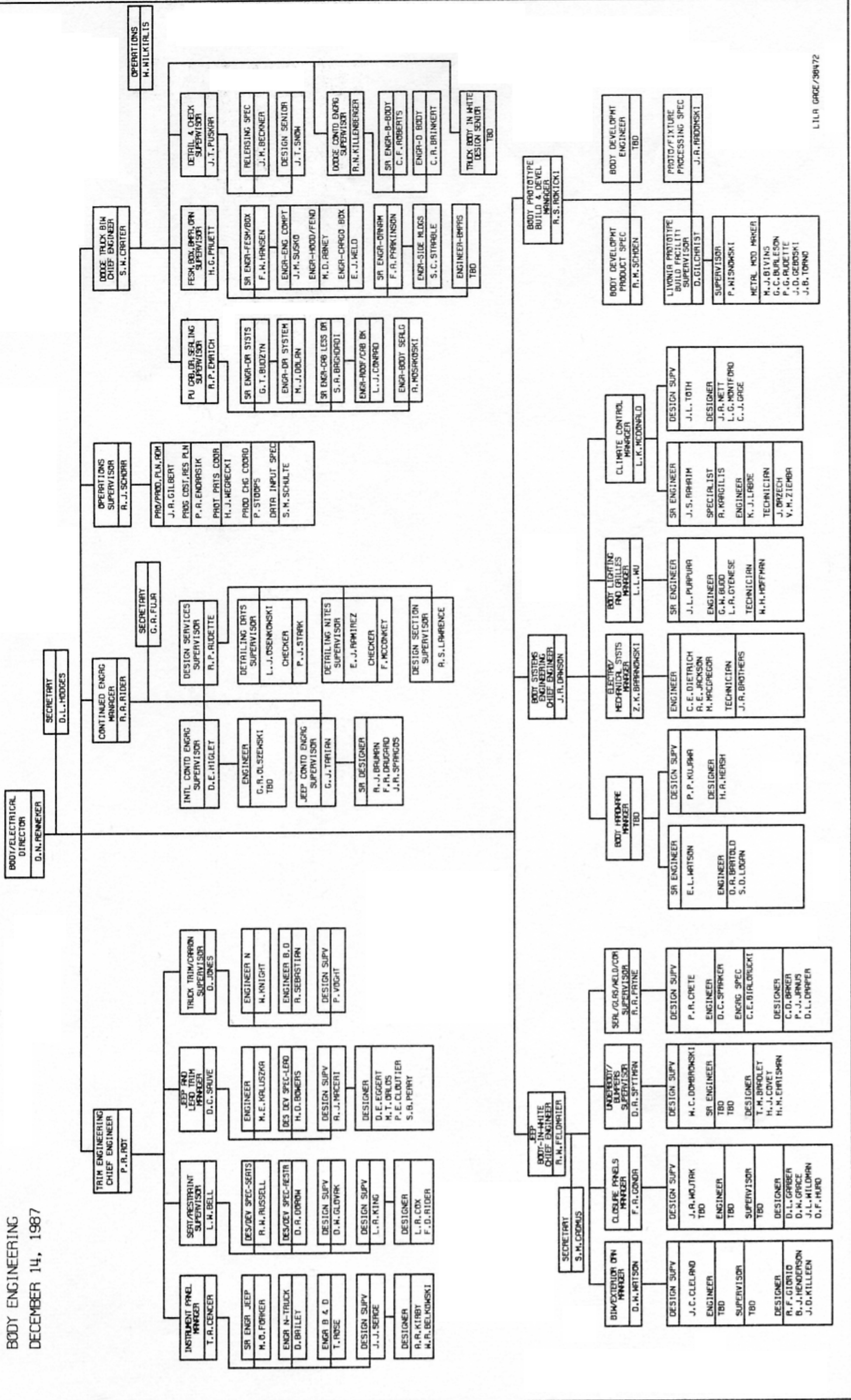
ENGINEERING PROGRAM CONTROL
DECEMBER 14, 1987



DRIVETRAIN/CHASSIS ENGINEERING
DECEMBER 14, 1987

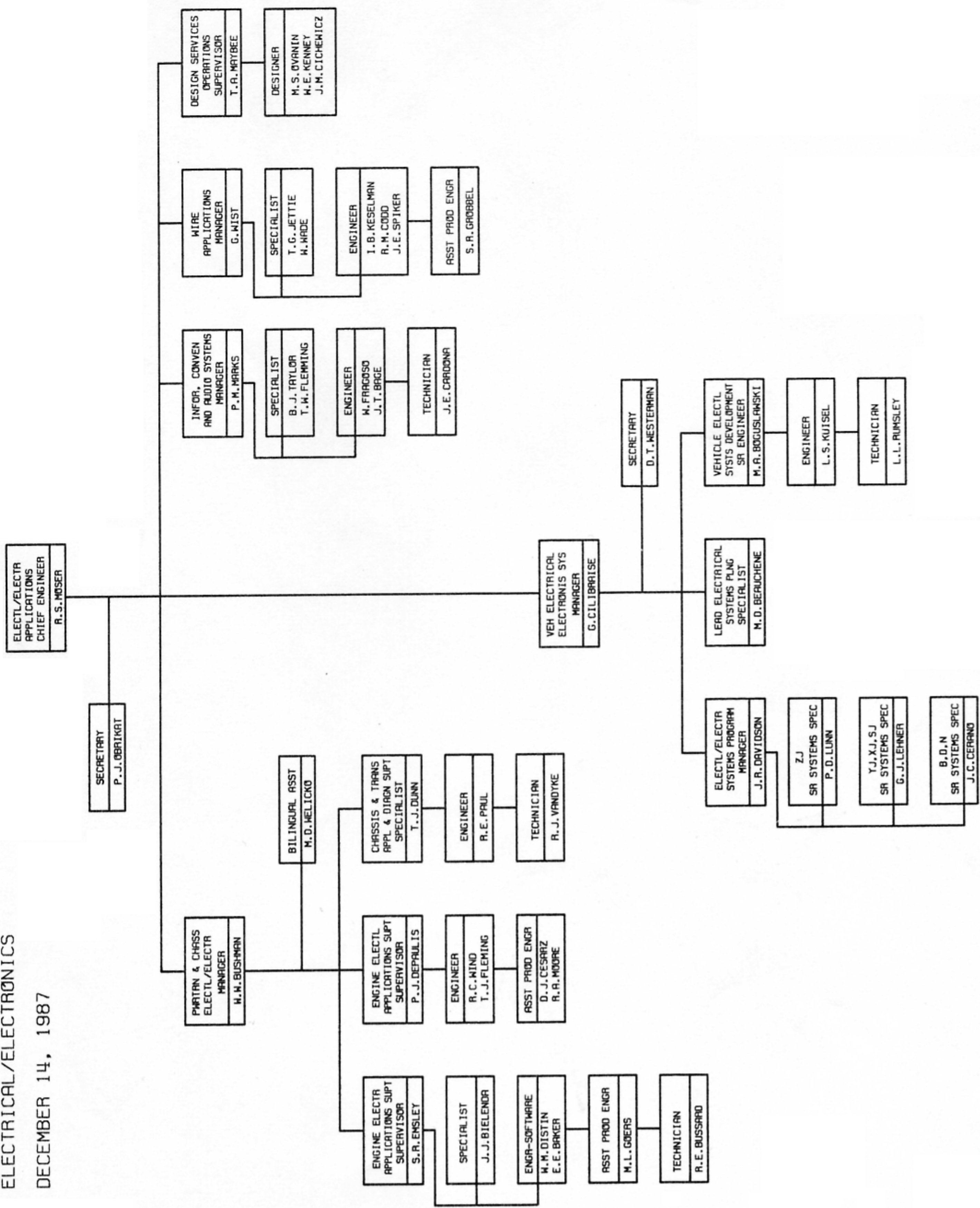


BODY ENGINEERING
DECEMBER 14, 1987



ELECTRICAL/ELECTRONICS

DECEMBER 14, 1987



PRE-PROGRAM ENGINEERING & VEHICLE PACKAGING
 DECEMBER 14, 1987

